

M/T "TRANS FJELL"

CHEMICAL TANKER

BERGEN

Phone: +47 55 92 32 00
Fax: +47 55 91 14 50
E-mail:
chartering@seatrans.no
operations@seatrans.no

www.seatranschemicals.com



VESSEL PARTICULARS

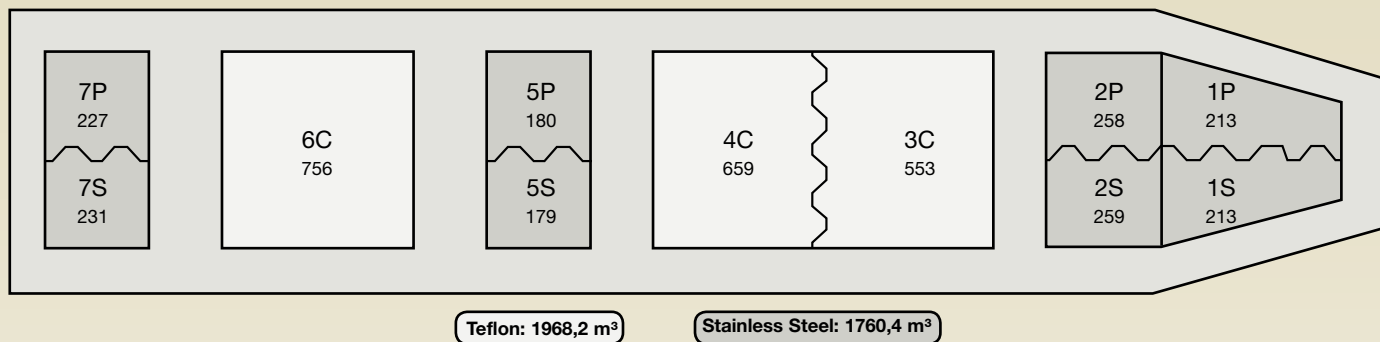
Class	DNV + 1A1, Ice Class 1A, IMO 2 RP
Built	2007
Builder	Tuzla Gemi, Istanbul, Turkey
Flag	Malta
Home port	Valetta
Service speed	11 knots
Consumption	9 mt/day
Stern line	No
Deck crane capacity	2 mt (SWL)
Main engine	2 x Warsila 6L20 / 1200KW each
Bow thruster	Brunvoll / 350 KW

MAIN DIMENSIONS

Summer deadweight	3 453 mts
Winter deadweight	3 343 mts
Summer draught (SW)	6,02 m
Winter draught (SW)	5,89 m
Length overall	88 m
Moulded breadth	13,35 m
Cargo capacity (98%)	3 741 m ³
Gross tonnage	3 049
Net tonnage	1 018
SBT tonnage	2 665
Light weight	2 298 mt
Distance KTM	30,68 m
Parallel body length (SDWT)	51,43 m



All volumes are given in m³ at 98%



Total tank capacity at 98%: 3 728,6 m³

Stainless steel Duplex 2205 – IMO 2: 1P/S, 2P/S, 5P/S, 7P/S

Teflon tanks – IMO 2: CT3, CT4, CT6

Manifold

Distance Bow-Center manifold	38,30	m
Distance Stern-Center manifold	49,65	m
Inboard from ships side	4,2	m
Height above deck	2,70	m
Height above waterline loaded	4,80	m
Height above waterline ballast	7,00	m
Highest allowable pressure	11 / 6	bar (STST, Lined)
Manifold flanges	ANSI 150 / 4	“

Nitrogen

Storage for 10 bottles

Cargo pumps

Framo deepwell pumps in all cargo tanks

Pump Capacity: 120 m³/h

Pumping rate given against max 12 bar

Cargo heating: 66 deg C

Stainless steel tanks: heating coils

Lined tanks: Framo deck heaters

Heating medium: Steam

Draught in	Deadweight (Metric tons)		TPC		
	Meters	Feet		Fresh Water	Sea Water
SDWT	5	15	3000	3000	11,0
			2000	2000	10,8
4	12	10	1000	1000	10,6
			1000	1000	10,4
3	9	6	1000	1000	10,2
			1000	1000	10,0
3	10	10	1000	1000	9,8
			1000	1000	9,6

Seatrans Chemical Tankers AS

Wernersholmvei 5, Hop
P.O. Box 15, Nesttun
NO-5852 BERGEN
NORWAY

Phone: +47 55 92 32 00

Fax: +47 55 91 14 50

E-mail: operations@seatrans.no

chartering@seatrans.no

demurrage@seatrans.no